

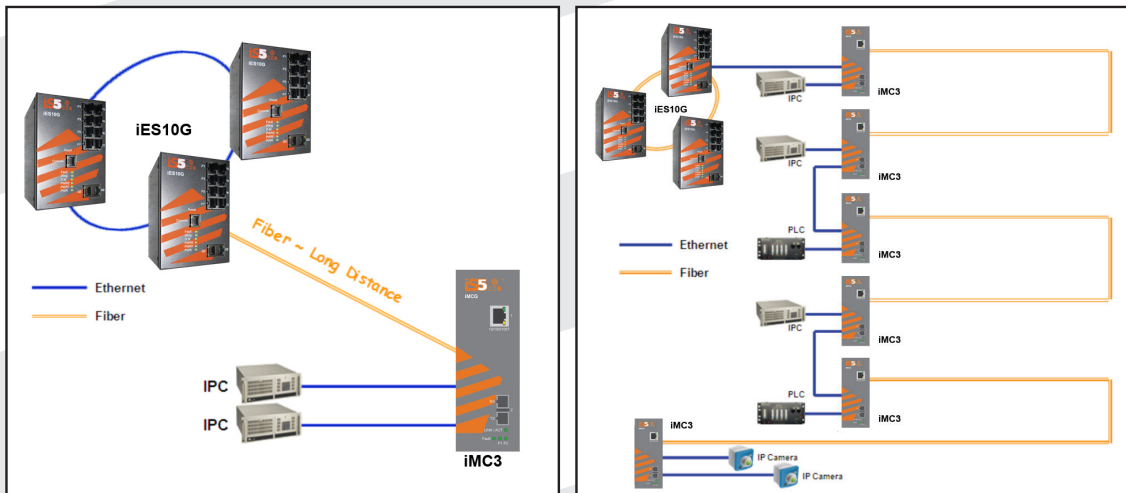
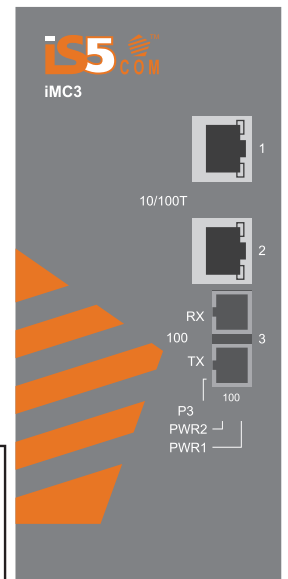
Intelligent 3 Port Ethernet to Fiber Media Converter

Features

- ➔ 1 x 10/100Base-T(X) with auto-negotiation and auto-MDI/MDI-X
- ➔ 1 x 100 Base- F(X)
- ➔ Rigid - IP-40 Galvanized Steel -40 to +85 degrees C
- ➔ DIN-Rail and Wall-mount

Introduction

iMC3 is an intelligent media converter providing media conversion between 10/100Base-TX and 100Base-FX. The iMC3 is a reliable media converter which will operate in harshest environments.



Connections of Media converter





Specifications

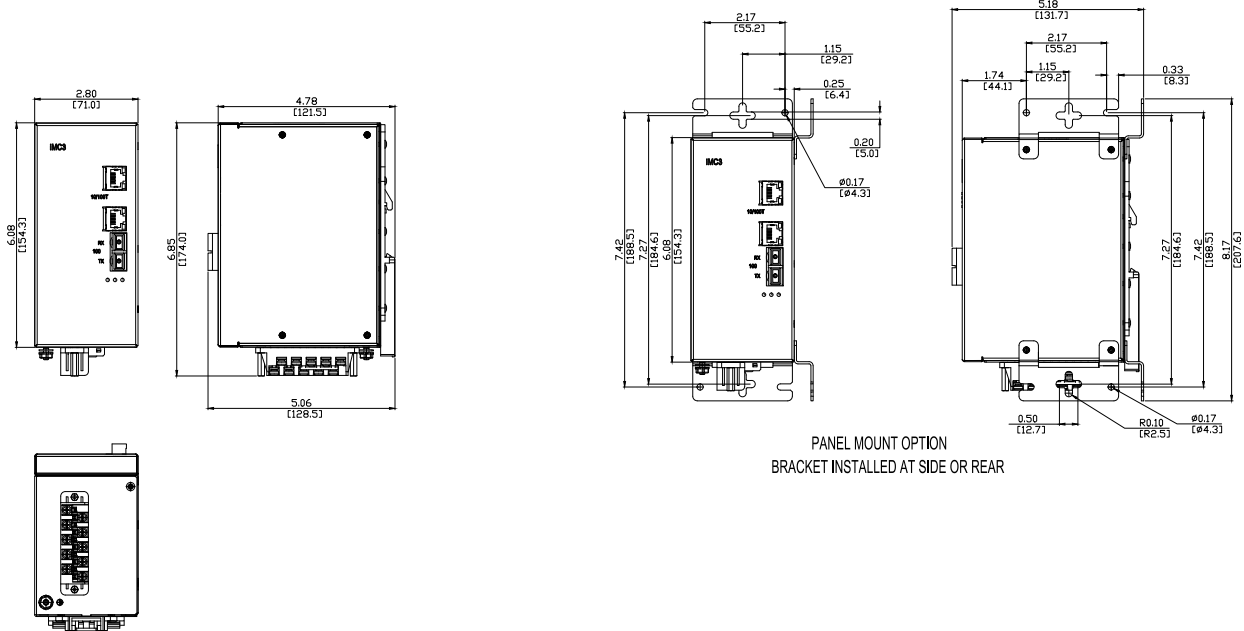
Model Number		iMC3-MM	iMC3-SS
Physical Ports			
10/100 Base-T(X) Ports in RJ45 Auto MDI/MDIX		2	2
Fiber Port Specification	Fiber Ports Number	1	1
	Fiber Ports Standard	100Base-FX	100Base-FX
	Fiber Mode	Multi-mode	Single-mode
	Fiber Diameter (μm)	62.5/125 μm 50/125 μm	9/125 μm
	Fiber Optical Connector	SC	SC
	Typical Distance (Km)	2 Km	30 Km
	Wavelength (nm)	1310 nm	1310 nm
	Max. Output Optical Power (dbm)	-14 dbm	-8 dbm
	Min. Output Optical Power (dbm)	-23.5 dbm	-15 dbm
	Max. Input Optical Power (Saturation)	0 dbm	0 dbm
	Min. Input Optical Power (Sensitivity)	-31 dbm	-34 dbm
Link Budget (db)	7.5 db	19 db	
Technology			
Ethernet Standards		IEEE 802.3 for 10Base-T IEEE 802.3u for 100Base-TX and 100Base-FX	
LED indicators			
Power Indicator		Green : Power LED x 2	
10/100Base-T(X) RJ45 Port Indicator		Green for port Link/Act. Amber for Duplex/Collision	
100Base-FX Fiber Port Indicator		Green for fiber port Link/Act	
Power			
Input Power		Dual DC inputs 10 to 48VDC, Dual DC Inputs 36-72VDC, or Single input universal supply 120-370VDC or 85-264VAC with a single 10-48VDC Backup.	
Power Consumption (Typ.)		4.5 Watts	
Overload Current Protection		Present	
Reverse Polarity Protection		Internal	
Physical Characteristic			
Enclosure		IP-40 Galvanized Steel	
Dimension (W x D x H)		26.1 (W) x 70 (D) x 95 (H)mm (1.03 x 2.76 x 3.74 inch)	
Weight (g)		210 g	
Environmental			
Storage Temperature		-40 to 85°C (-40 to 185°F)	
Operating Temperature		-40 to 85°C (-40 to 185°F)	
Operating Humidity		5% to 95% Non-condensing	



Regulatory approvals	
EMI	FCC Part 15, CISPR (EN55022) class A
EMS	EN61000-4-2 (ESD), EN61000-4-3 (RS), EN61000-4-4 (EFT), EN61000-4-5 (Surge), EN61000-4-6 (CS), EN61000-4-8, EN61000-4-11
Shock	IEC60068-2-27
Free Fall	IEC60068-2-32
Vibration	IEC60068-2-6
Safety	EN60950-1
Warranty	
Warranty	5 Years

Dimensions

All Dimensions are in Inches





Ordering Information

Base	Power Supply	Mount	Ethernet Port 1	Ethernet Port 2	Ethernet Port 3	Description
iMC3	LV	D	1RJ45	1RJ45	1MMSC	
iMC3						Core assembly and packaging
	LV					Dual Input (10-48VDC)
	MV					Dual Input (36-72VDC)
	HV					Single Input 120-370VDC or 85-264VAC with Single 10-48VDC Backup
		D				DIN Rail Mounting
		P				Panel Mounting
		N				No Mounting Hardware
				XX		None
			1RJ45	1RJ45		10/100Base TX RJ45
					1MMSC	100FX Multimode SC
					1MMST	100FX Multimode ST
					1SSC20	100FX Singlemode SC, Standard 20km
					1SST20	100FX Singlemode ST, Standard 20km
					1SSC50	100FX Singlemode SC, Standard 50km

Example order code: iMC3-LV-D-1RJ45-1RJ45-1MMSC-C1

Description: Media Converter, Power Supply: Dual Input (10-48VDC), DIN Rail Mount, 1x10/100base-T(X) port, 1xRJ45Base-T(X) port, 1xMultimode SC, Conformal Coating

C1=Add for conformal coating