

iDS6P

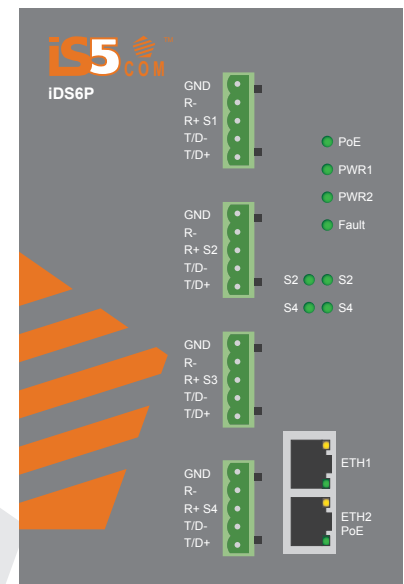


www.iS5com.com

Intelligent 6 Port Device Server

Features

- Redundant Dual Ethernet Ports: Recovery time < 10ms
- Ethernet Switch Mode: Allows daisy chaining of multiple device servers
- NAT-pass through: User can manage iDS6P through NAT router
- Redundant Power Inputs
- Redundant multiple host devices: 5 simultaneous in Virtual COM, TCP Server, TCP Client mode, UDP
- Secure Management by HTTPS and SSH
- Serial Server Modes: Virtual Com, Serial Tunnel, TCP Server, TCP Client, UDP
- Event alarms via Syslog, Email, and SNMP trap
- Supported operating systems: Windows NT/2000/ XP/2003/VISTA
- Ethernet switch mode allows daisy chaining
- Redundant facility to stream data to 5 host devices
- Event alarms by e-mail
- Secure management via HTTPS & SSH protocols
- NAT router pass through
- IP table security to prevent unauthorized access
- Configurable by Web-browser and Windows utility
- 2KV port isolation for RS422/485 serial port
- 1KV port isolation for PoE PD port



iS5 COMMUNICATIONS

SERVICES • SUPPORT • SECURITY • SOLUTIONS • SYSTEMS

**128
BIT
ENCRYPTION**



Tel: +905-670-0004

Fax: +289-401-5206

Email: info@is5com.com



#3-7490 Pacific Circle, Mississauga, Ontario, L5T 2A3



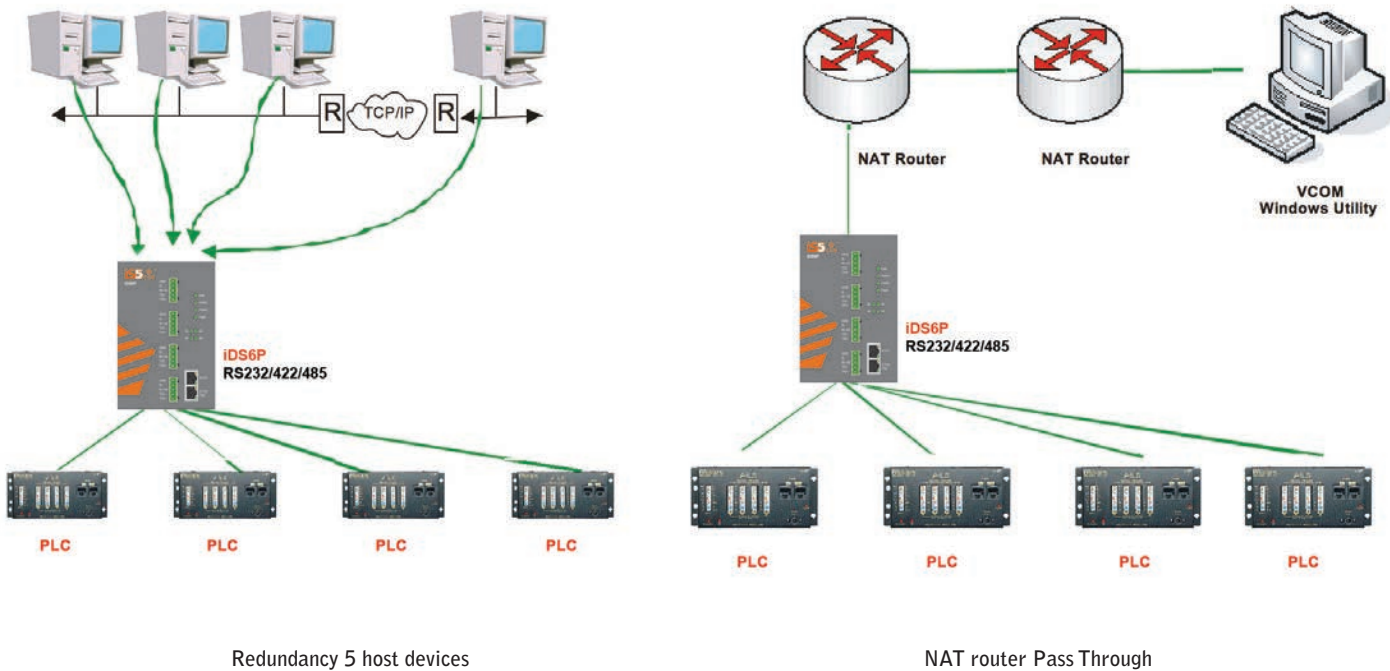
Introduction

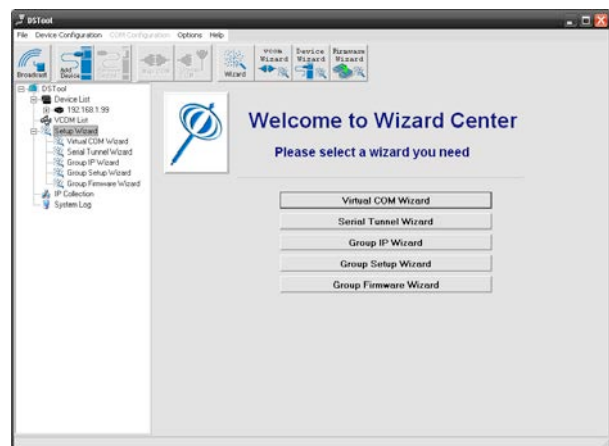
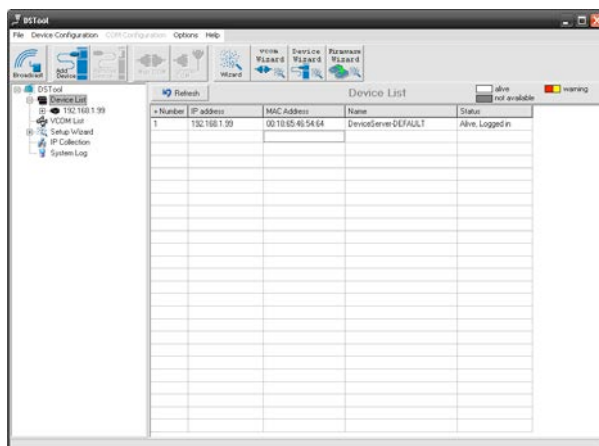
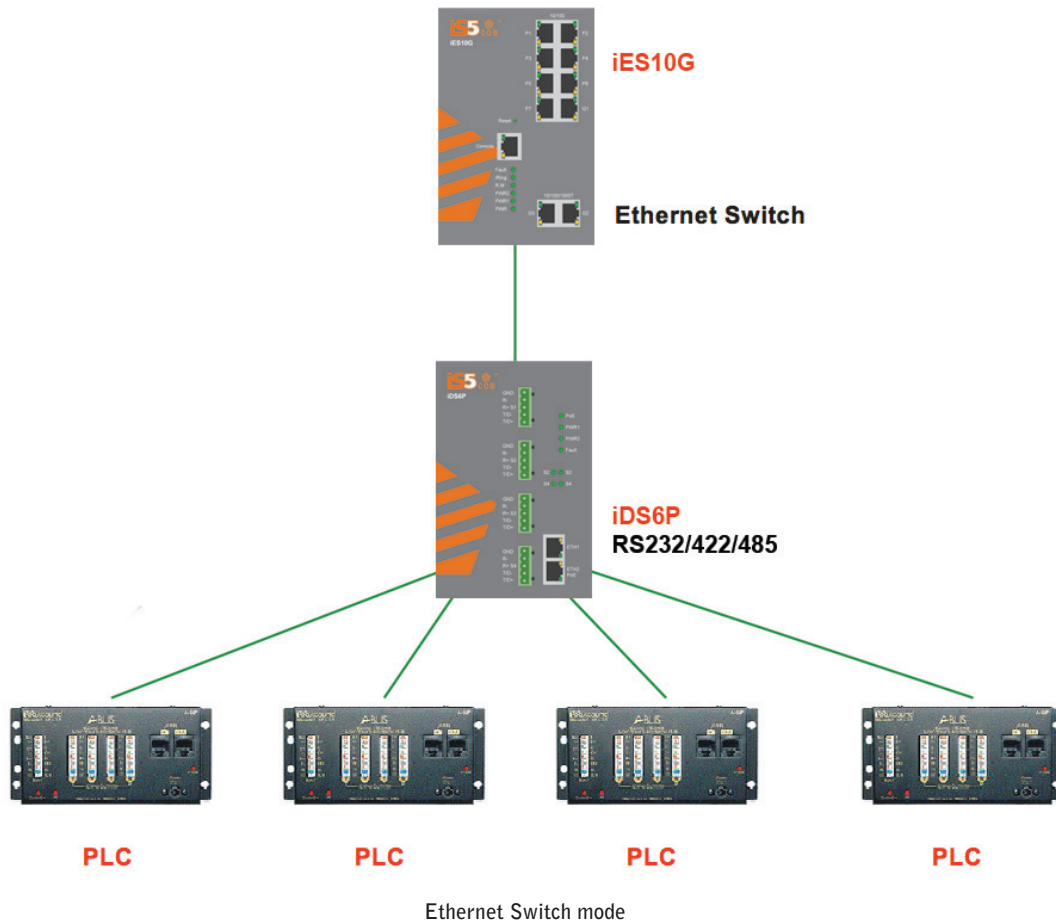
iDS6P is a serial device server with 4 isolated RS422/485 serial ports to 2 redundant LAN ports. To ensure integrity and security of critical data, the iDS6P offers many powerful redundancy features. The first feature provides protection against failure of an Ethernet LAN port, by automatically switching to another LAN port within 10ms to guarantee delivery via an alternative path.

iDS6P also supports an Ethernet switch mode allowing users to daisy chain serial servers reducing the usage of Ethernet switch ports. Another redundancy feature in the iDS6P is the simultaneous transfer of data of up to 5 host PC's. This feature ensures that critical data is sent via alternative Ethernet paths and to multiple host PC's ensuring data is not compromised by the Ethernet connection or potential host PC failure. With NAT pass through functionality, users are able to manage the iDS6P inside or outside the NAT router, making it easy for different IP domain users to use the iDS6P. The secondary Ethernet port supports PoE IEEE 802.3af allowing the device to be powered via the Ethernet cable instead of a separate power supply.

Configuration

The iManage Software Suite utility can be used to configure the serial device server. This convenient utility allows easy management and monitoring facilities of all servers on the network.





Windows Configuration Utility



Specifications

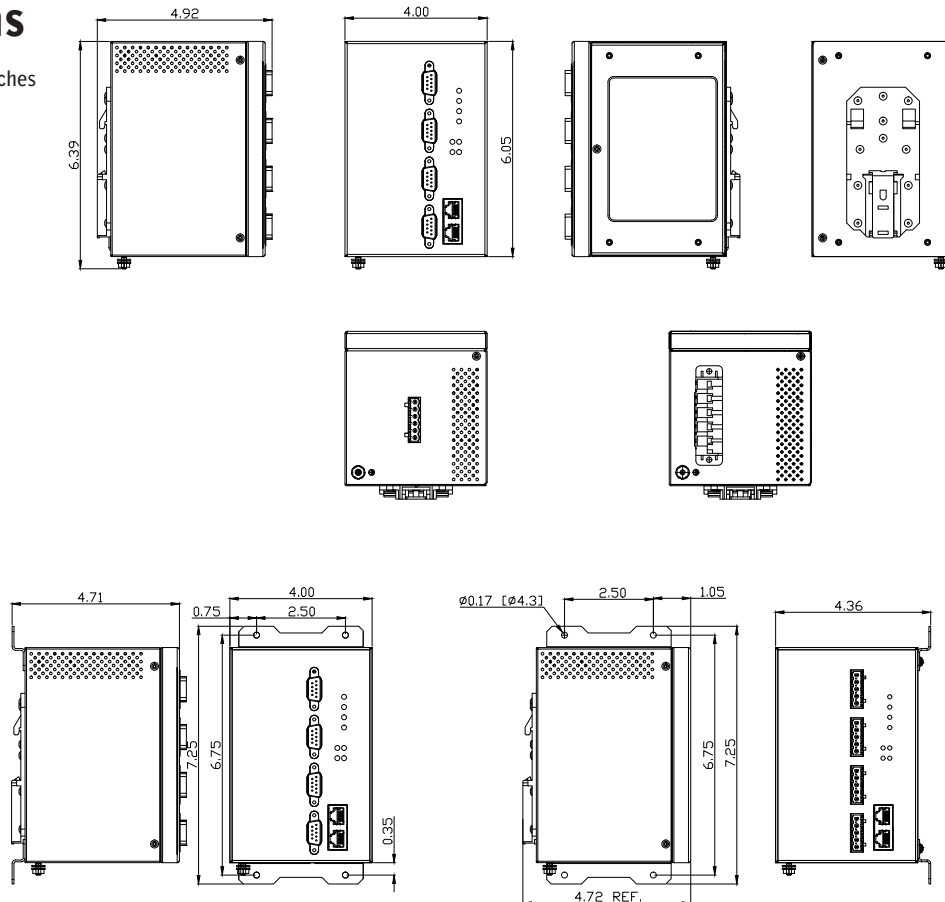
Server Model iDS6P	
Physical Ports	
10/100 Base-T(X) Ports in RJ45 Auto MDI/MDIX	2
PoE	PoE Present on ETH2 Power Device (IEEE 802.3af): IEEE 802.3af compliant input interface, Power consumption: 8Watts max., Over load & short circuit protection, Isolation Voltage: 1000 VDC min., Isolation Resistance : 108 ohms min
Serial Ports	
Connector	5 pin terminal block x 4
Operation Mode	RS422 / 4(2)-Wire RS485. Which can be configured by the windows configuration utility
Serial Baud Rate	110 bps to 460.8 Kbps
Data Bits	5, 6, 7, 8
Parity	odd, even, none, mark, space
Stop Bits	1, 1.5, 2
RS-422	Tx+,Tx-, Rx+, Rx-,GND
RS-485 (4-wire)	Tx+,Tx-, Rx+, Rx-,GND
RS-485 (2-wire)	Data+, Data-,GND
isolating	2KV
Flow Control	XON/XOFF, RTS/CTS, DTR/DSR
LED Indicators	
Power indicator	PWR 1(2) / Ready: Red On: Power is on and booting up. Red Blinking: Indicates an IP conflict, or DHCP or BOOTP server did not respond properly. Green On: Power is on and functioning Normally. Green Blinking: Located by Administrator.
10/100TX RJ45 port indicator	Green for port Link/Act at 100Mbps. Amber for port Link/Act at 10Mbps.
Serial TX / RX LEDs:	Red: Serial port is receiving data, Green: Serial port is transmitting data
Power	
Redundant Input power	Dual DC inputs 10 to 48VDC, Dual DC Inputs 36-72VDC, or Single input universal supply 120-370VDC or 85-264VAC with a single 10-48VDC Backup
Power consumption (Typ.)	5.5 Watts
Overload current protection	Present
Reverse polarity protection	Internal
Physical Characteristic	
Enclosure	IP-40 Galvanized Steel Housing
Dimension (W x D x H)	52(W)x106.1(D)x144.3(H) mm (2.05x4.18x5.68 inch.)
Weight (g)	667 g



Environmental	
Storage Temperature	-40 to 85°C (-40 to 185°F)
Operating Temperature	-40 to 85°C (-40 to 185°F)
Operating Humidity	5% to 95% Non-condensing
Regulatory Approvals	
EMI	FCC Part 15, CISPR (EN55022) class A
EMS	EN61000-4-2 (ESD), EN61000-4-3 (RS), EN61000-4-4 (EFT), EN61000-4-5 (Surge), EN61000-4-6 (CS), EN61000-4-8, EN61000-4-11
Shock	IEC60068-2-27
Free Fall	IEC60068-2-32
Vibration	IEC60068-2-6
Safety	EN60950
Warranty	
Warranty	5 Years

Dimensions

All Dimensions are in Inches



PANEL MOUNT
BRACKET INSTALLED AT REAR
SHOWN iDS6

PANEL MOUNT
BRACKET INSTALLED AT SIDE
SHOWN iDS6P



Ordering Information

Base	Power Supply	Mount	Ethernet Port 1	POE Port 2	Serial Ports 3-6	Description
iDS6P	LV	D	1RJ45	1RJ45	4PL05	
iDS6P						Core assembly and packaging
	LV					Dual Input (10-48VDC)
	MV					Dual Input (36-72VDC)
	HV					Single Input 88-370VDC or 85-264VAC with Single 10-48VDC Backup
		D				DIN Rail Mounting
		P				Panel Mounting
		N				No Mounting Hardware
			1RJ45			10/100Base TX RJ45
				1RJ45		POE Port RJ45 with Isolation
					4PL05	4 x Pluggable 5 Pin RS422/485

Example order code: iDS6P-LV-D-1RJ45-1RJ45-4PL05-C1-F3.07

Description: Device Server with PoE, Power Supply: Dual Input (10-48VDC), DIN Rail Mount, 1x10/100base-T(X) port, 1xRJ45 PoE port with Isolation, 4xRS422/485 5 pin ports, Conformal Coating, Firmware Revision 3.07

C1=Add for conformal coating

FW=Leave blank for latest revision